



(12) **United States Design Patent**  
**Padeh et al.**

(10) **Patent No.:** **US D958,691 S**  
(45) **Date of Patent:** **\*\* \*Jul. 26, 2022**

(54) **RECTANGULAR EMERALD CUT STONE**

- (71) Applicant: **Dov Padeh**, Cedarhurst, NY (US)
- (72) Inventors: **Dov Padeh**, Cedarhurst, NY (US); **Wolf Gluck**, Monroe, NY (US)
- (73) Assignee: **Dov Padeh**, Cedarhurst, NY (US)
- (\* ) Notice: This patent is subject to a terminal disclaimer.
- (\*\*) Term: **15 Years**

(21) Appl. No.: **29/764,199**

(22) Filed: **Dec. 29, 2020**

(51) **LOC (13) Cl.** ..... **11-01**

(52) **U.S. Cl.**

USPC ..... **D11/90**

(58) **Field of Classification Search**

USPC ... D11/1, 3, 7, 8, 16, 26, 34-40, 42, 43, 79, D11/86, 89-92

CPC ..... A44C 17/00; A44C 17/001; A44C 17/002; A44C 17/003; A44C 17/005; A44C 17/006; A44C 17/007; A44C 17/008

See application file for complete search history.

(56) **References Cited**

**U.S. PATENT DOCUMENTS**

- 4,020,649 A \* 5/1977 Grossbard ..... A44C 17/001 D11/90
- D251,659 S \* 4/1979 Grossbard ..... D11/90
- D317,139 S \* 5/1991 Chia ..... D11/93
- D484,824 S \* 1/2004 Namdar ..... A44C 17/001 D11/90
- D501,155 S \* 1/2005 Talkowsky ..... D11/90
- D506,947 S \* 7/2005 Weinstein ..... D11/90
- D607,369 S \* 1/2010 Swarovski ..... D11/90

(Continued)

**FOREIGN PATENT DOCUMENTS**

CN 301849089 \* 2/2012

**OTHER PUBLICATIONS**

Pc04088 Superflash 1, Roy Spangler, online, site visited Feb. 7, 2022. Retrieved from url:<http://www.facetdiagrams.org/database/files/pc04088.html> (Year: 2022).\*

*Primary Examiner* — Tracey J Bell

(74) *Attorney, Agent, or Firm* — Ostrager Chong Flaherty & Broitman P.C.

(57) **CLAIM**

We claim the ornamental design for a rectangular emerald cut stone, as shown and described.

**DESCRIPTION**

FIG. 1 is a top, front, and right side perspective view of a rectangular emerald cut stone;

FIG. 2 is a bottom, front, and left side perspective view thereof;

FIG. 3 is a top view thereof;

FIG. 4 is a bottom view thereof; and

FIG. 5 is a left side view thereof, the right side view being a mirror image thereof;

FIG. 6 is a front side view thereof, the rear side view being a mirror image thereof;

FIG. 7 is a top, front, and right side perspective view of an alternative embodiment of a rectangular emerald cut stone;

FIG. 8 is a bottom, front, and left side perspective view thereof;

FIG. 9 is a top view thereof;

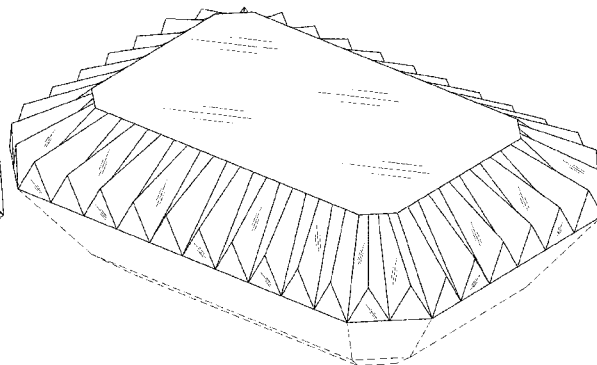
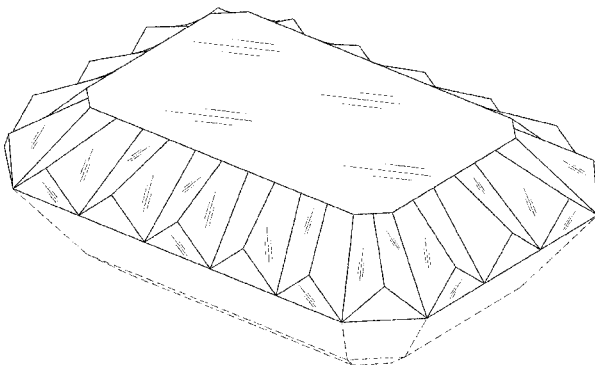
FIG. 10 is a bottom view thereof; and

FIG. 11 is a left side view thereof, the right side view being a mirror image thereof; and,

FIG. 12 is a front side view thereof, the rear side view being a mirror image thereof.

The broken lines in FIGS. 1, 2, 4, 5, 6, 7, 8, 10, 11, AND 12 depict portions of the rectangular emerald cut stone that form no part of the claimed design.

**1 Claim, 6 Drawing Sheets**



(56)

**References Cited**

U.S. PATENT DOCUMENTS

D665,698	S	*	8/2012	Mistry .....	D11/90
D674,313	S	*	1/2013	Siman-Tov .....	D11/90
D732,419	S	*	6/2015	Wong .....	D11/86
D742,782	S	*	11/2015	Slowinski .....	D11/89
D782,934	S	*	4/2017	Riviere .....	D11/42
D795,125	S	*	8/2017	Slowinski .....	D11/89
D876,980	S	*	3/2020	Shah .....	D11/90
D886,657	S	*	6/2020	Yatsugi-Kang .....	D11/7

\* cited by examiner

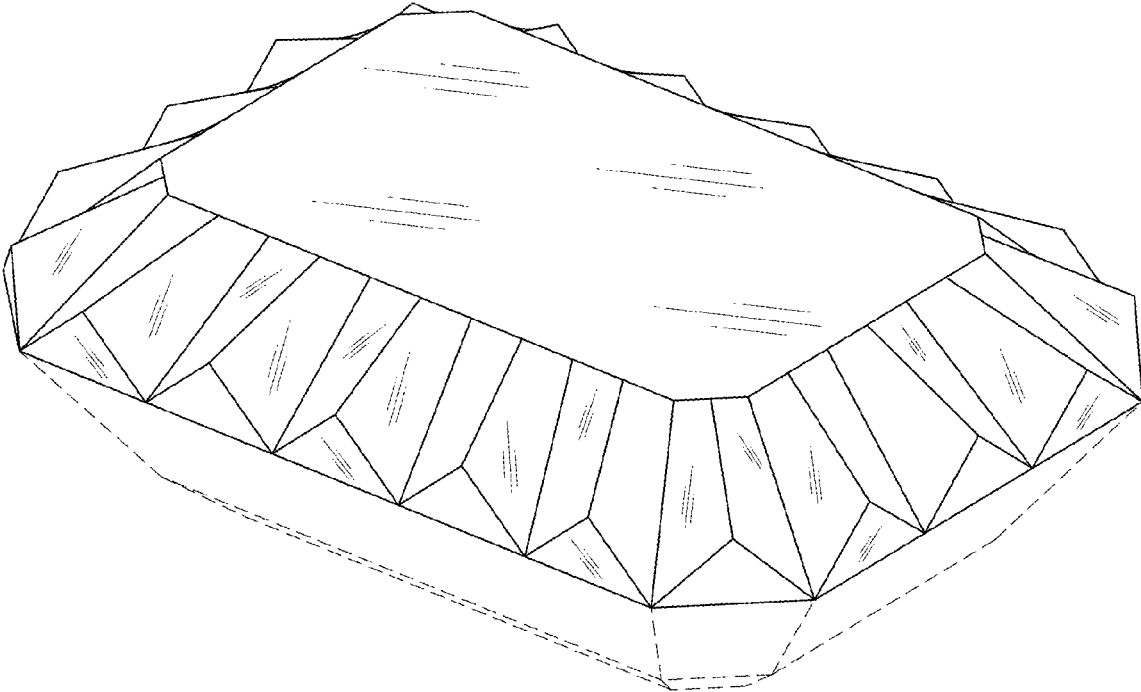


FIG. 1

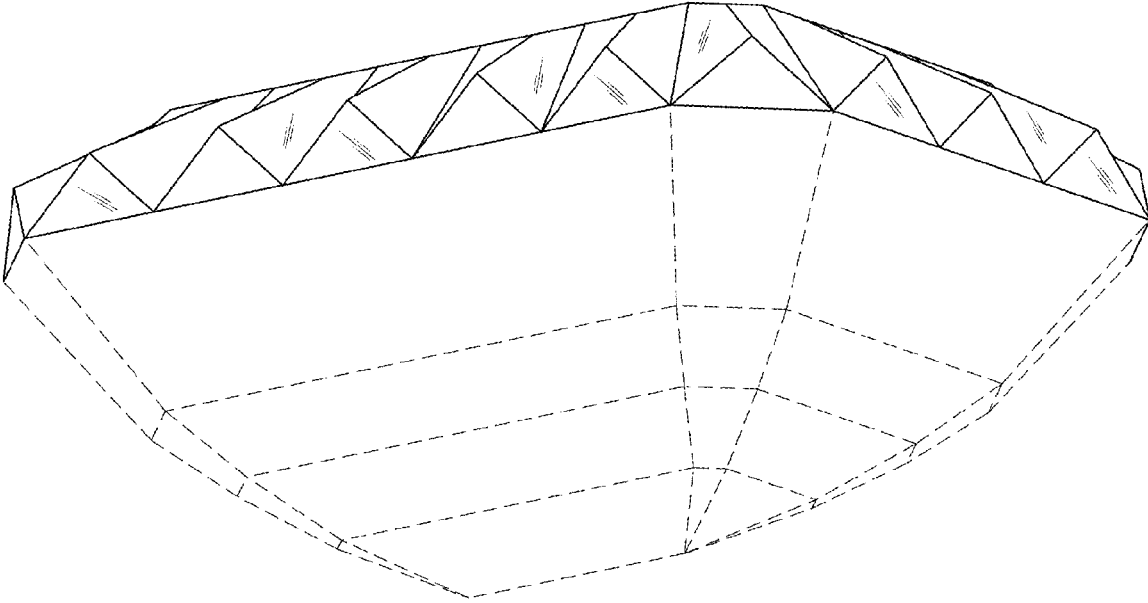


FIG. 2

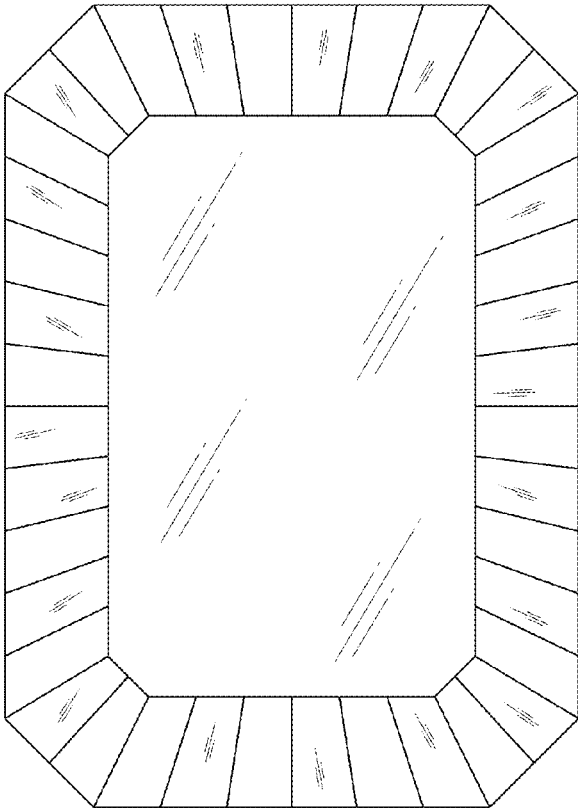


FIG. 3

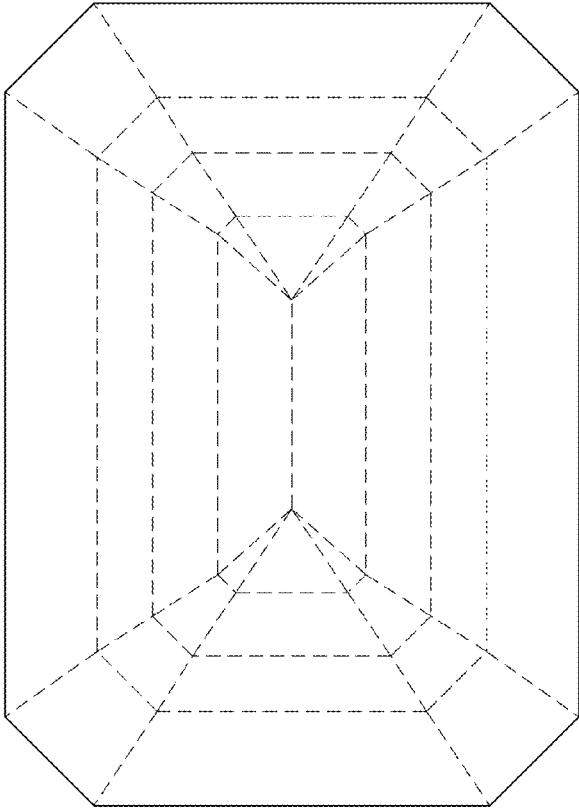


FIG. 4

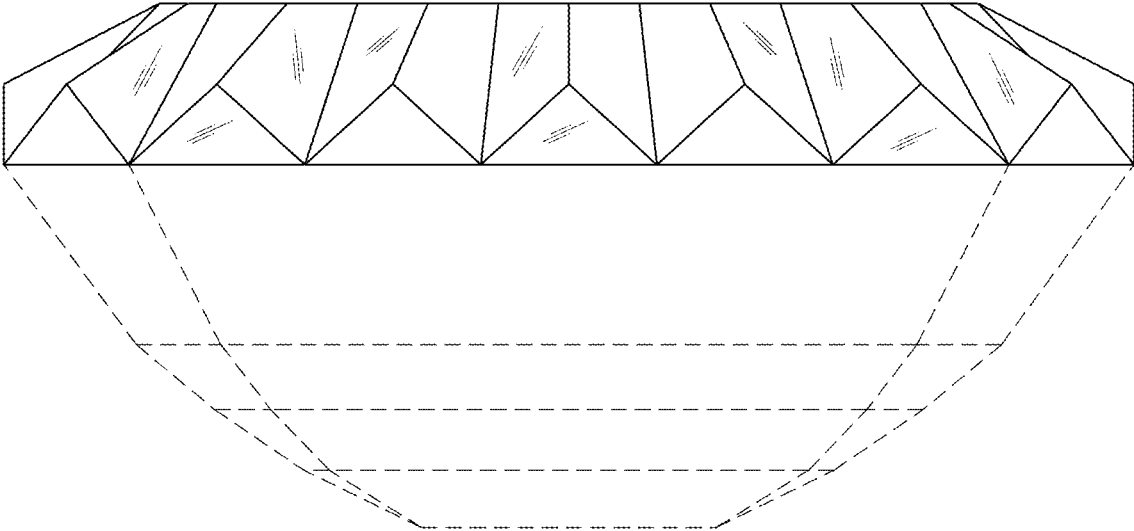


FIG. 5

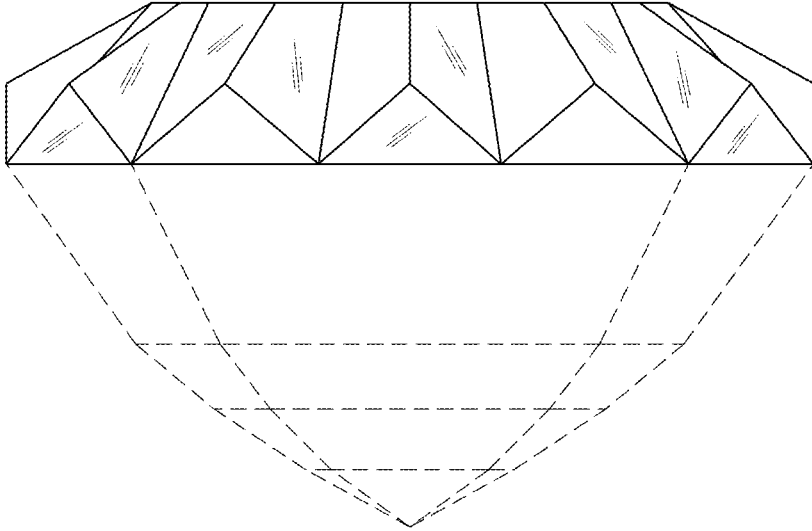


FIG. 6

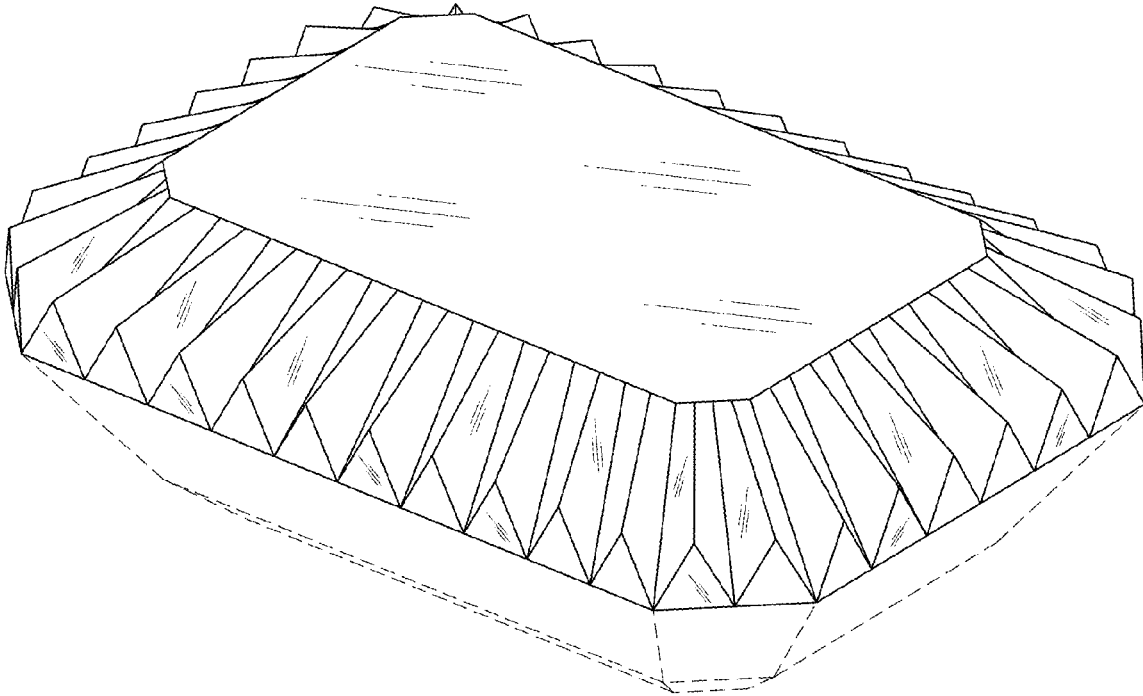


FIG. 7

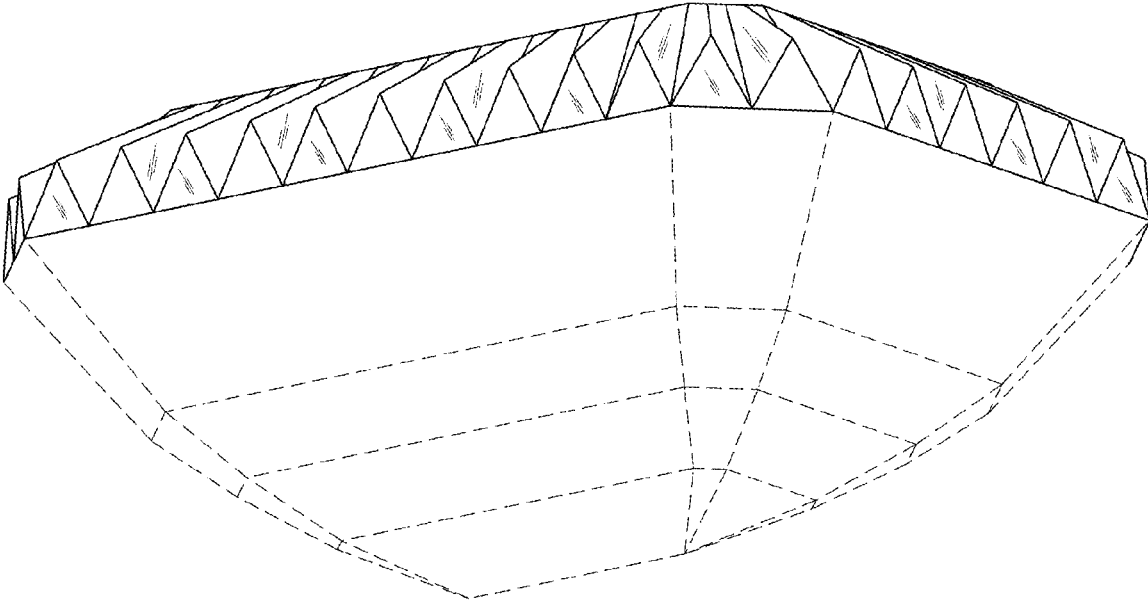


FIG. 8

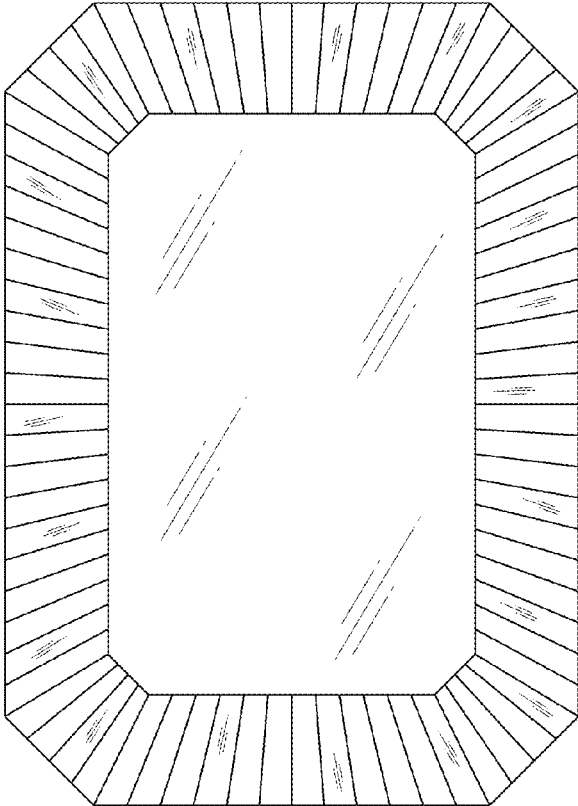


FIG. 9

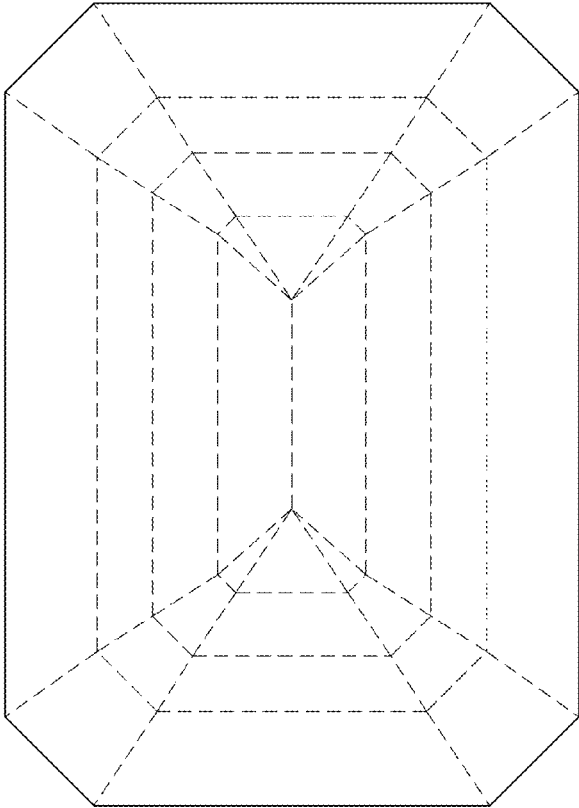


FIG. 10

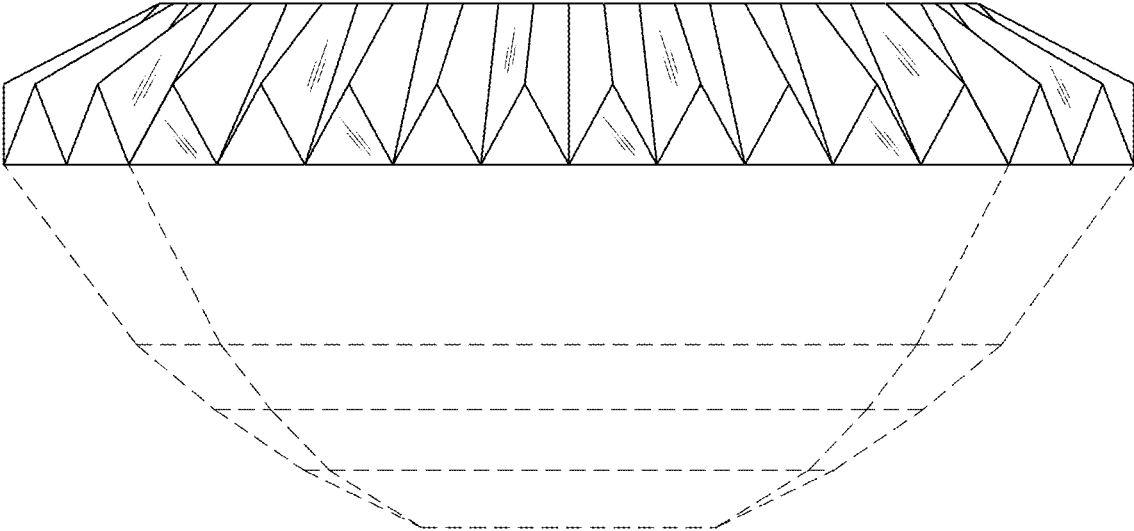


FIG. 11

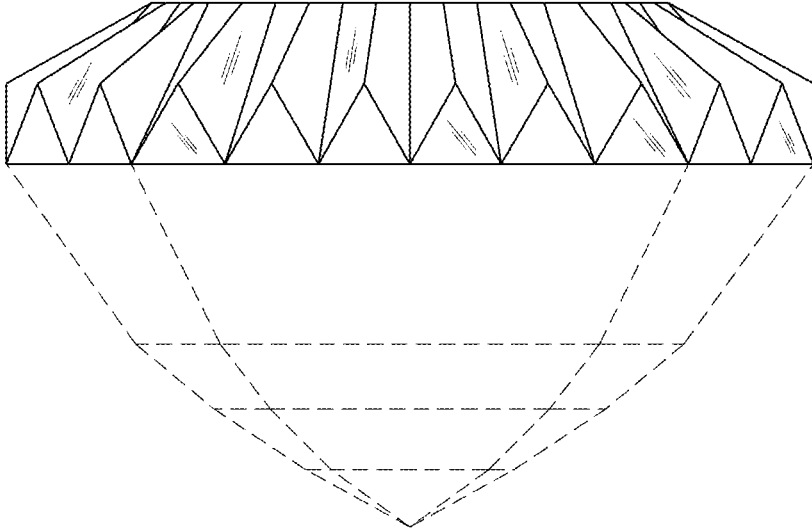


FIG. 12