



(12) **United States Design Patent**
Sanders

(10) **Patent No.:** **US D643,500 S**
(45) **Date of Patent:** **** Aug. 16, 2011**

- (54) **RIFLE RACK**
- (75) Inventor: **Keith Sanders**, Spanish Fork, UT (US)
- (73) Assignee: **Provo Steel & Supply Co.**, Provo, UT (US)
- (**) Term: **14 Years**

- 5,626,379 A 5/1997 Scott
- 5,797,500 A 8/1998 Lacoste
- 5,887,730 A 3/1999 St. George
- 6,138,841 A 10/2000 Klein et al.
- 6,302,052 B1 10/2001 Sauerwein
- 6,386,379 B1 5/2002 Battaglia
- 6,394,287 B2 5/2002 Cabrera

(Continued)

(21) Appl. No.: **29/376,150**

(22) Filed: **Oct. 1, 2010**

(51) **LOC (9) Cl.** **22-99**

(52) **U.S. Cl.** **D22/199**

(58) **Field of Classification Search** D22/100,
D22/108, 199; D8/1, 380, 381; 49/94; 89/37.04;
211/64, 13.1, 49.1, 60.1, 70.5, 86.01, 87.01,
211/88.01, 89.01, 181.1, 560; 248/156, 530,
248/121, 175, 200, 302, 304, 309.1, 310,
248/312; D6/329, 396, 417, 552, 553, 567;
D21/385, 662, 698

See application file for complete search history.

(56) **References Cited**

U.S. PATENT DOCUMENTS

- 3,421,632 A 1/1969 Wood
- 3,477,586 A * 11/1969 Haluska 211/64
- 4,057,180 A 11/1977 Whittaker
- 4,197,951 A 4/1980 Shassere
- 4,450,989 A * 5/1984 Bogar, Jr. 224/549
- D286,119 S * 10/1986 Enquist D6/552
- 4,648,516 A * 3/1987 Elkins 211/64
- 4,796,762 A 1/1989 Law
- D310,446 S * 9/1990 Elkins D12/406
- 4,986,427 A 1/1991 Law et al.
- 5,078,279 A 1/1992 Hancock et al.
- D335,233 S 5/1993 Long
- D343,970 S 2/1994 Campbell
- 5,282,539 A 2/1994 Saathoff
- D365,717 S 1/1996 Cardenas
- 5,495,969 A 3/1996 Cardenas
- 5,524,772 A * 6/1996 Simmons 211/4

OTHER PUBLICATIONS

Berkley Fishing, Rod/Combo Rack—Vertical, Model # (Product ID): CR6G (1124506), shown in printout of <http://berkley-fishing.com/products/toos-equipment/tec/rod/combo-rack-vertical-charcoal>.

(Continued)

Primary Examiner — T. Chase Nelson

Assistant Examiner — Michael Pratt

(74) *Attorney, Agent, or Firm* — Ostrager Chong Flaherty & Broitman P.C.

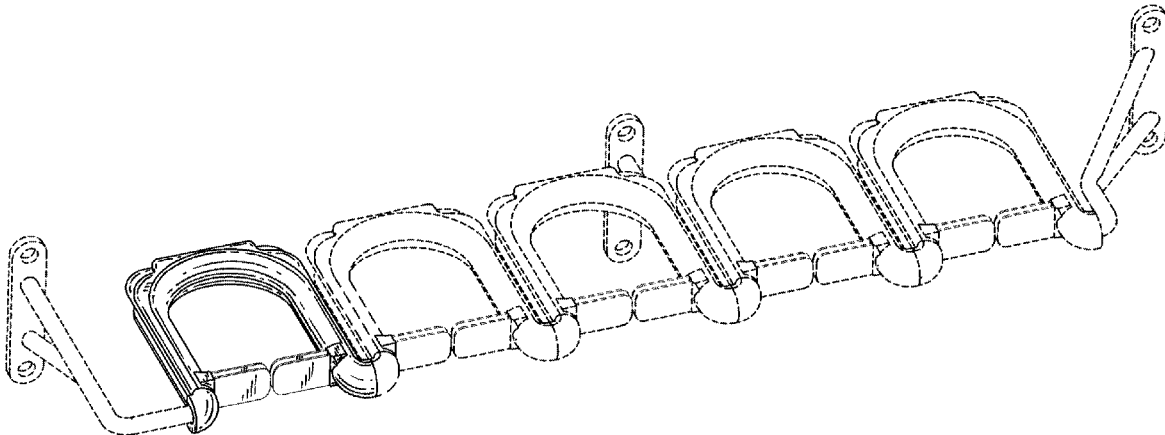
(57) **CLAIM**

The ornamental design for a rifle rack, as shown and described.

DESCRIPTION

FIG. 1 is a front, top and left side perspective view of a rifle rack showing my new design;
 FIG. 2 is a rear, top and left side perspective view thereof
 FIG. 3 is a top view thereof;
 FIG. 4 is a front view thereof;
 FIG. 5 is a right side view thereof;
 FIG. 6 is a left side view thereof;
 FIG. 7 is a cross-sectional view thereof taken from the line 7-7 shown in FIG. 1;
 FIG. 8 is a cross-sectional view thereof taken from the line 8-8 shown in FIG. 1;
 FIG. 9 is a rear view thereof; and,
 FIG. 10 is a bottom view thereof.

1 Claim, 8 Drawing Sheets



U.S. PATENT DOCUMENTS

6,789,712 B2 * 9/2004 Gates et al. 224/401
D557,541 S * 12/2007 Corbell D6/552
7,409,790 B2 8/2008 Stepp
7,478,892 B2 1/2009 Punzel et al.
2004/0130250 A1 7/2004 Cleveland et al.
2004/0140235 A1 7/2004 Cleveland et al.
2004/0140280 A1 7/2004 Cleveland et al.
2005/0133473 A1 6/2005 Lesperance

OTHER PUBLICATIONS

Photographs from 2002 Shooting, Hunting, Outdoor Trade Show and Conference ("Shot Show"—Owned and Sponsored by National Shooting Sports Foundation), DPMS safe on p. 5 of 6.
Sentry Group, "Gun Safe/Executive Safe Owner's Manual," at least p. 26.

* cited by examiner

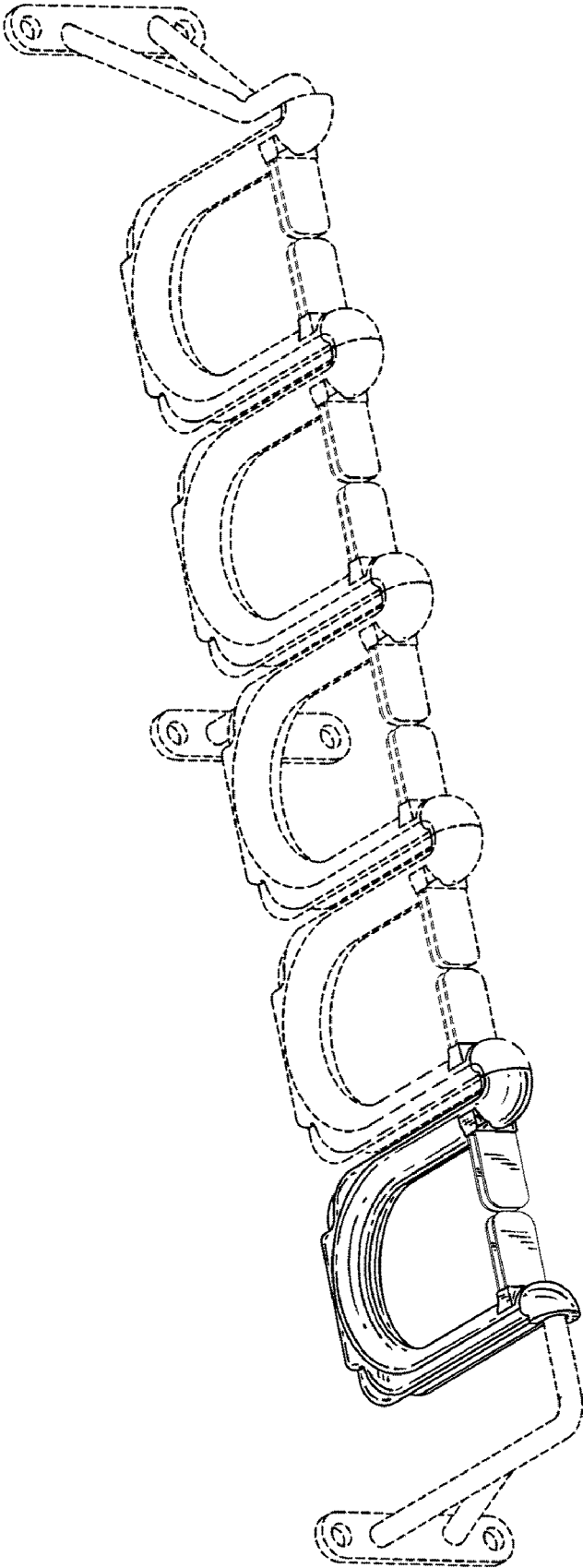


FIG.1

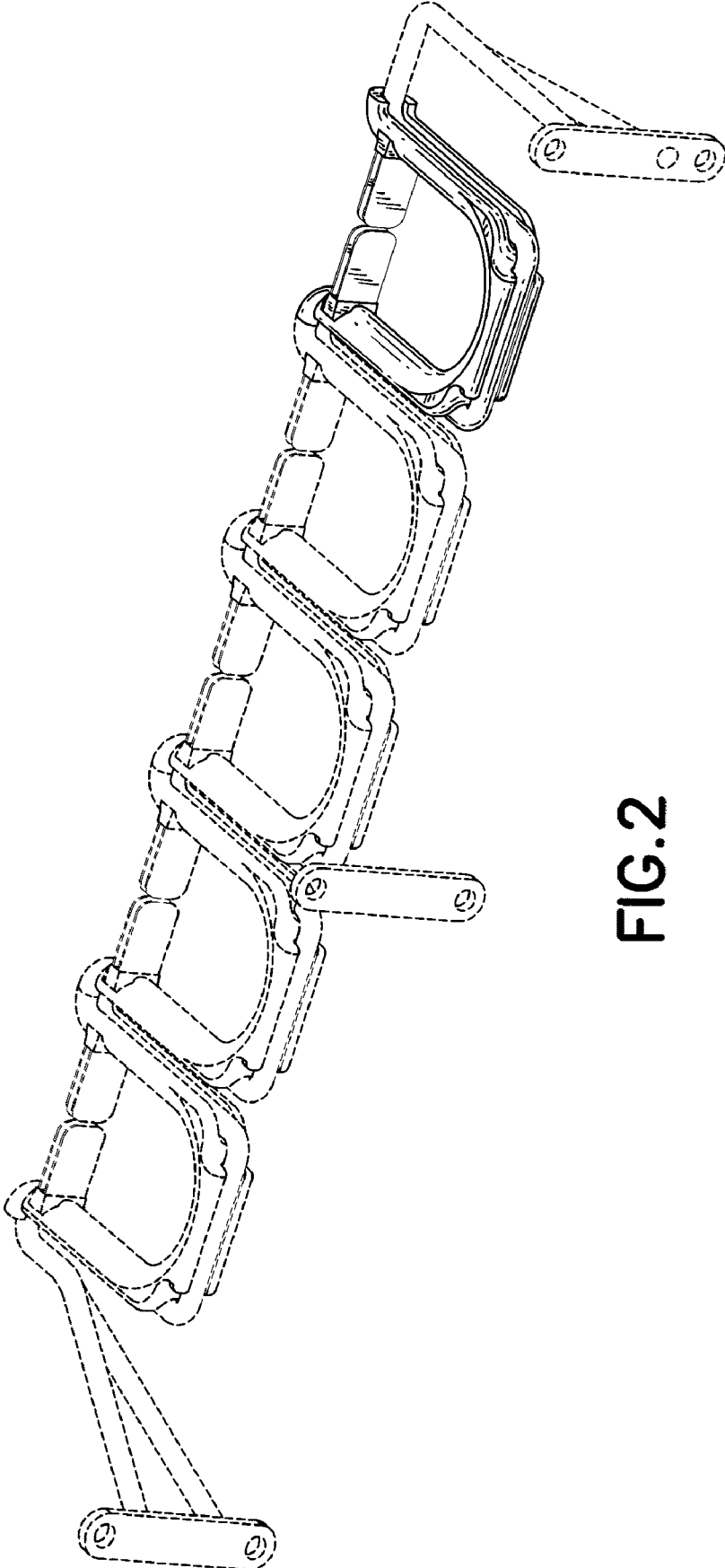


FIG. 2

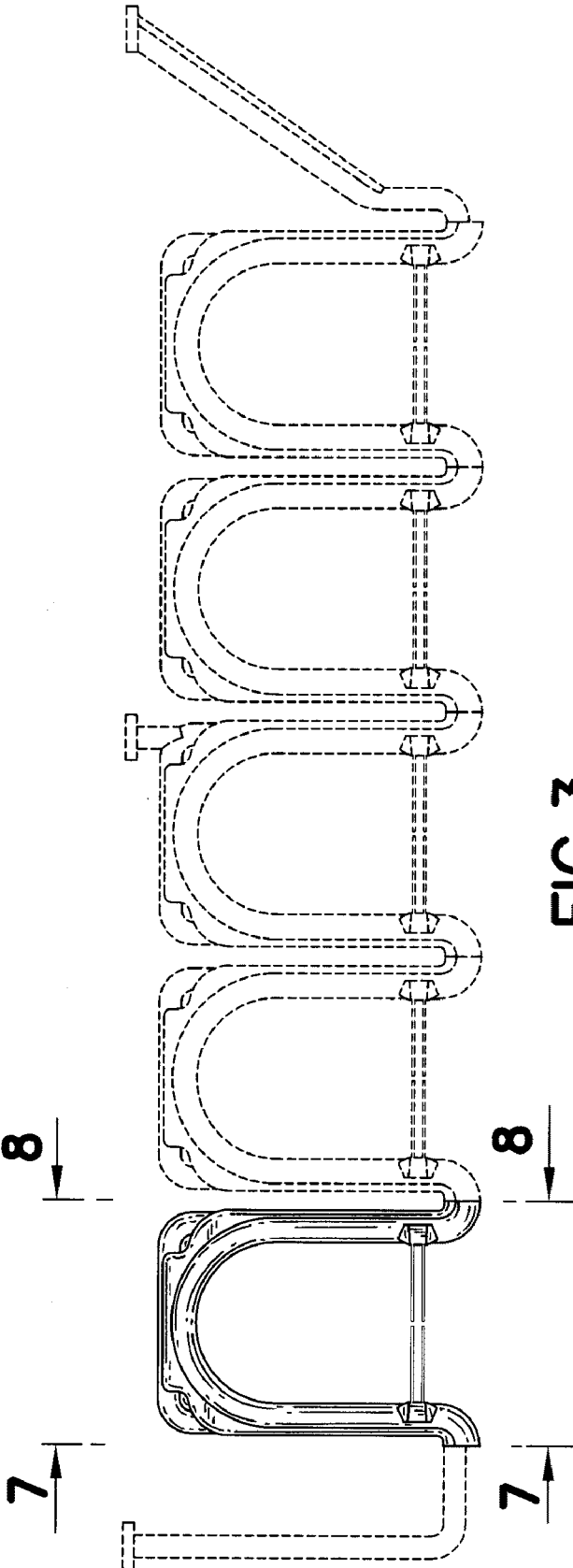


FIG. 3

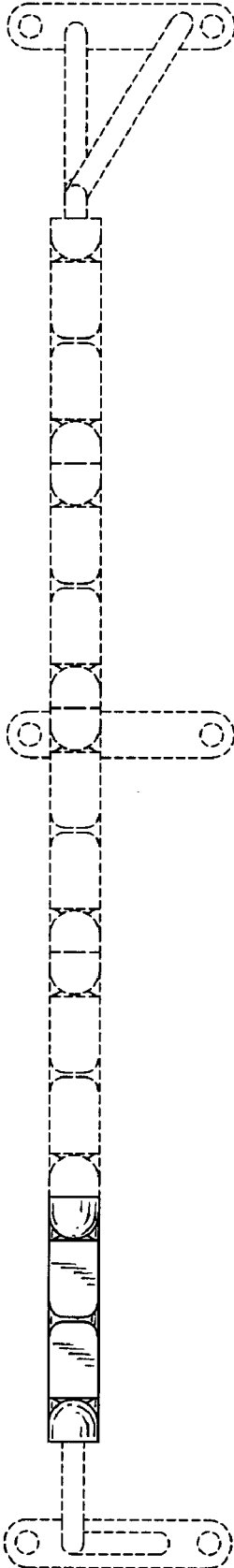


FIG. 4

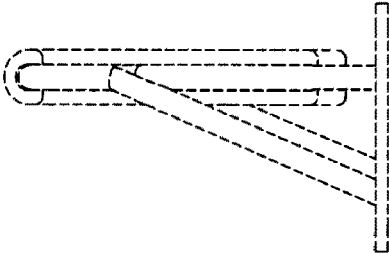


FIG. 5

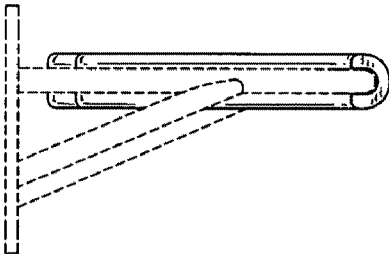


FIG. 6

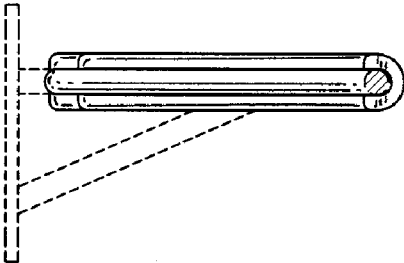


FIG. 7

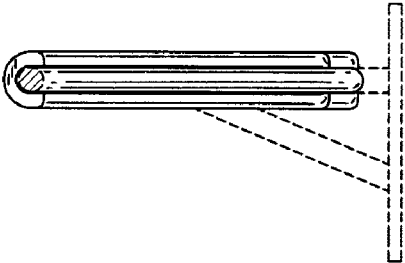


FIG. 8

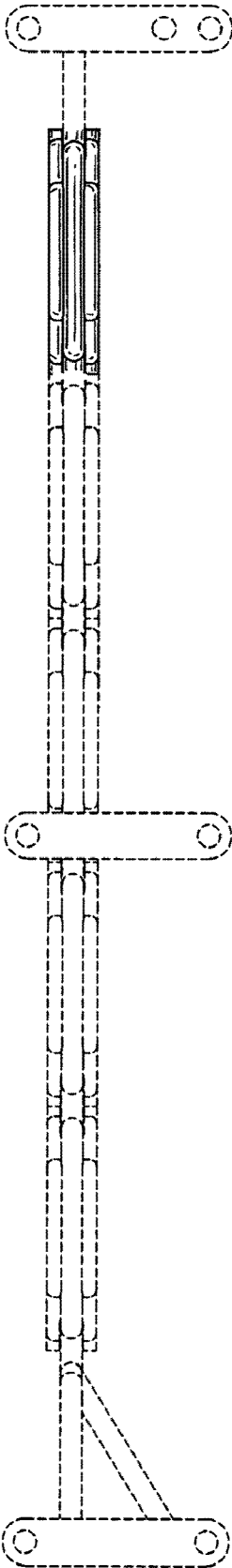


FIG. 9

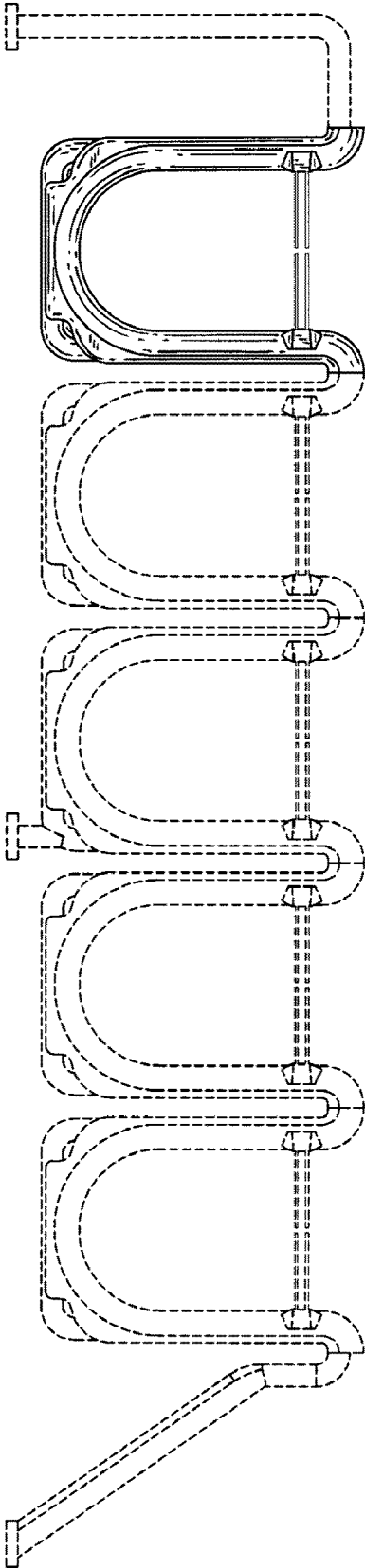


FIG. 10