



(12) **United States Design Patent**
Padeh et al.

(10) **Patent No.:** **US D951,805 S**
(45) **Date of Patent:** **** May 17, 2022**

- (54) **ROUND STONE**
- (71) Applicant: **Dov Padeh**, Cedarhurst, NY (US)
- (72) Inventors: **Dov Padeh**, Cedarhurst, NY (US); **Wolf Gluck**, Monroe, NY (US)
- (73) Assignee: **Dov Padeh**, Cedarhurst, NY (US)
- (**) Term: **15 Years**
- (21) Appl. No.: **29/764,187**
- (22) Filed: **Dec. 29, 2020**
- (51) **LOC (13) Cl.** **11-01**
- (52) **U.S. Cl.**
USPC **D11/90**
- (58) **Field of Classification Search**
USPC ... D11/1, 3, 7, 8, 26, 34-40, 42, 43, 79, 86,
D11/89-92, 16; D1/106, 127
CPC A44C 17/00; A44C 17/001; A44C 17/002;
A44C 17/003; A44C 17/005; A44C
17/006; A44C 17/007; A44C 17/008
See application file for complete search history.

D618,583 S * 6/2010 Slowinski D11/90
D732,419 S * 6/2015 Wong D11/86
2011/0265514 A1* 11/2011 Fakier A44C 17/001
63/12

FOREIGN PATENT DOCUMENTS

CN 300735532 * 1/2008
CN 301624040 * 7/2011

* cited by examiner

Primary Examiner — Michelle E. Wilson

Assistant Examiner — Tracey J Bell

(74) *Attorney, Agent, or Firm* — Ostrager Chong Flaherty & Broitman P.C.

(57) **CLAIM**

We claim the ornamental design for a round stone, as shown and described.

DESCRIPTION

FIG. 1 is a top and side perspective view of a round stone; FIG. 2 is a bottom and side perspective view thereof; FIG. 3 is a top view thereof; FIG. 4 is a bottom view thereof; and FIG. 5 is a side view thereof, all sides having the same side view.

FIG. 6 is a top and side perspective view of an alternative embodiment of a round stone;

FIG. 7 is a bottom and side perspective view thereof;

FIG. 8 is a top view thereof;

FIG. 9 is a bottom view thereof; and,

FIG. 10 is a side view thereof, all sides having the same side view.

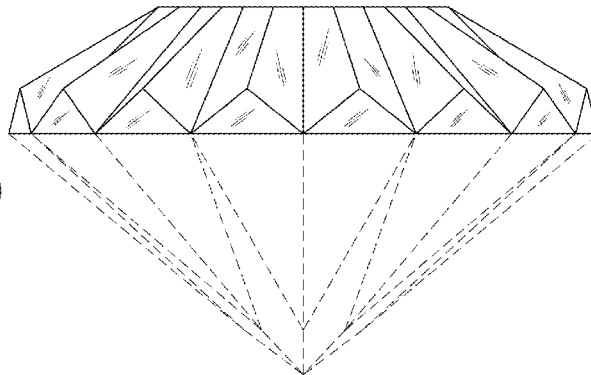
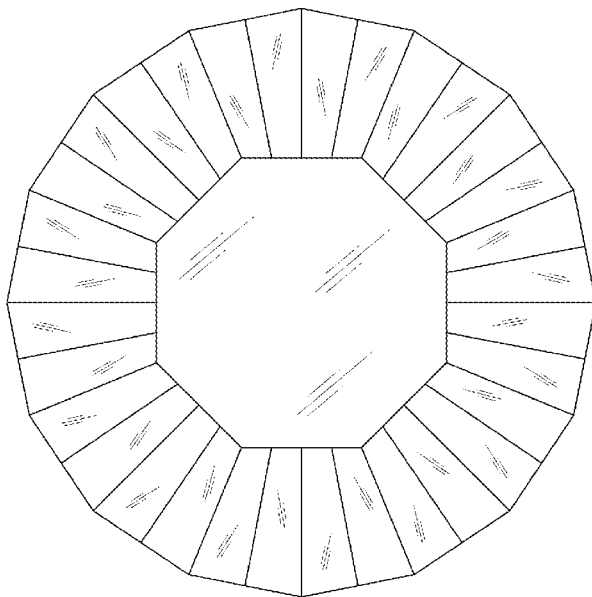
The broken lines in FIGS. 1, 2, 4, 5, 6, 7, 9, and 10 depict portions of the round stone that form no part of the claimed design.

1 Claim, 6 Drawing Sheets

(56) **References Cited**

U.S. PATENT DOCUMENTS

D406,247 S *	3/1999	Chia	D11/93
D407,036 S *	3/1999	Reisigl	A44C 17/001 D11/90
D454,089 S *	3/2002	Steiner	D11/90
D463,313 S *	9/2002	Bamminger	D11/90
D487,411 S *	3/2004	Bamminger	D11/90
D520,902 S *	5/2006	Namdar	D11/90
D546,229 S *	7/2007	Womack	D11/90
D565,994 S *	4/2008	Weitman	D11/90
D588,952 S *	3/2009	Schneider	D11/90
D616,785 S *	6/2010	Slowinski	D11/90



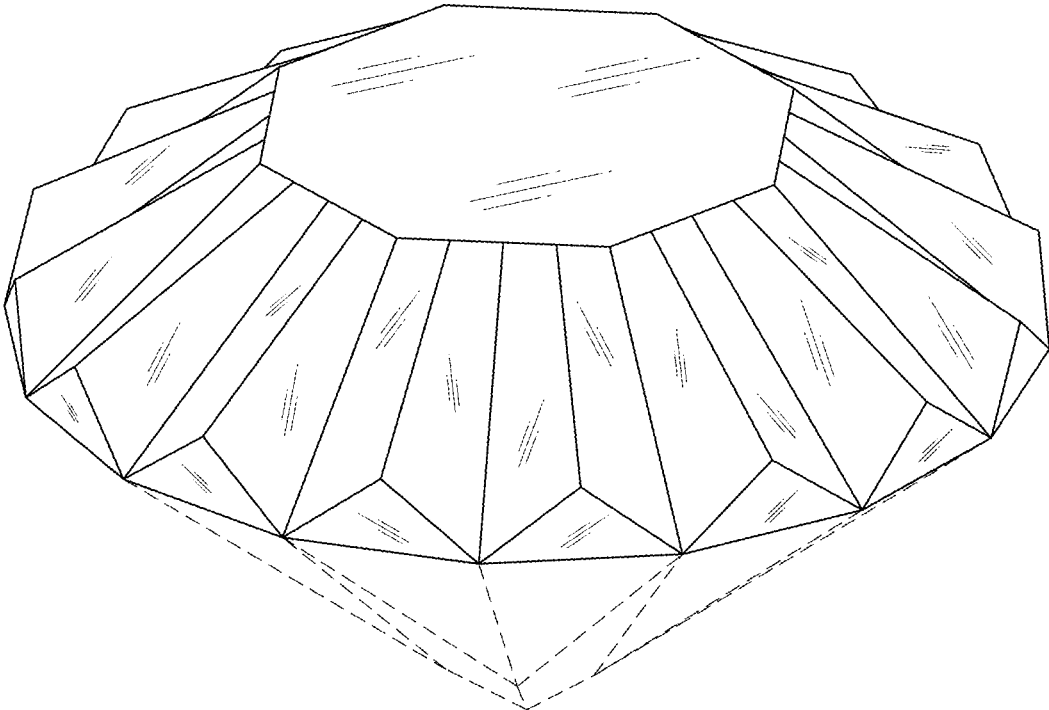


FIG. 1

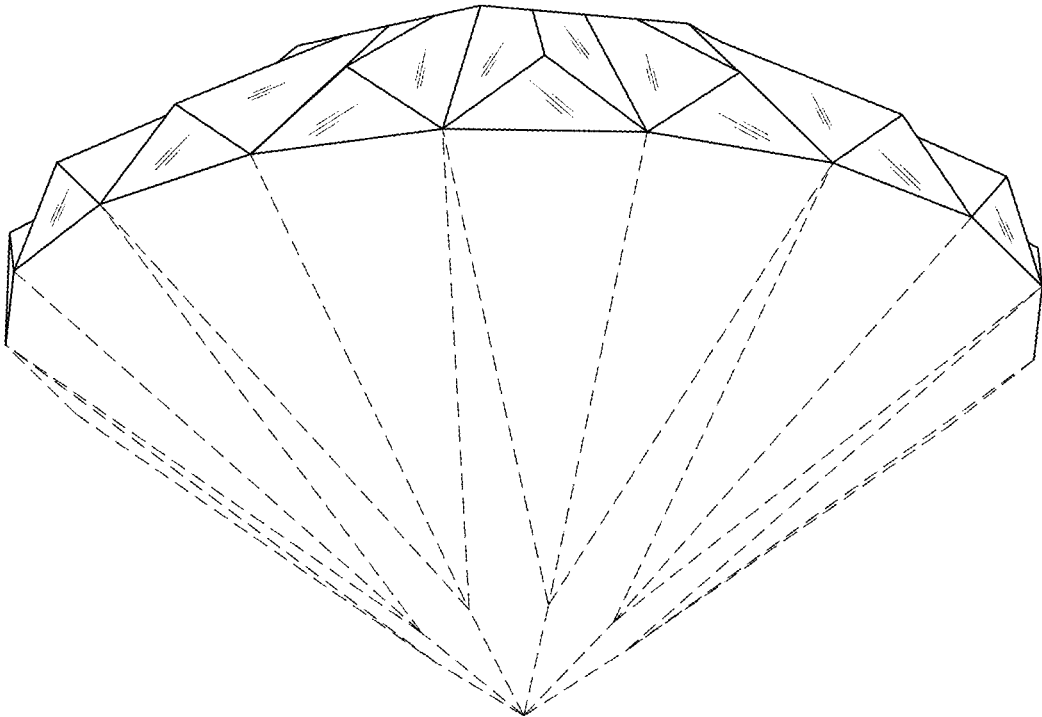


FIG. 2

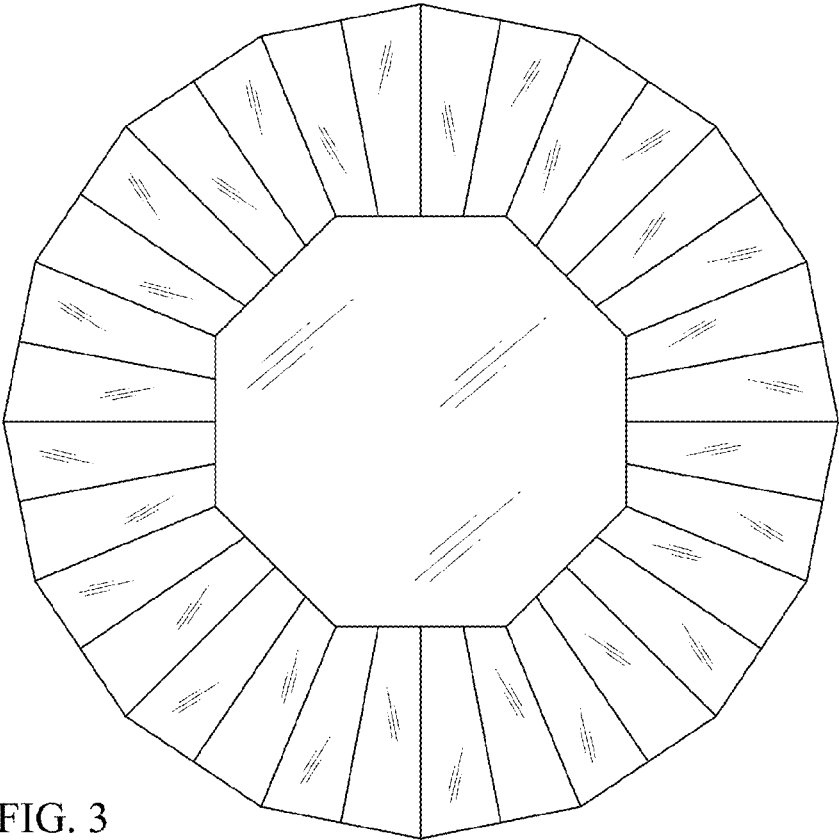


FIG. 3

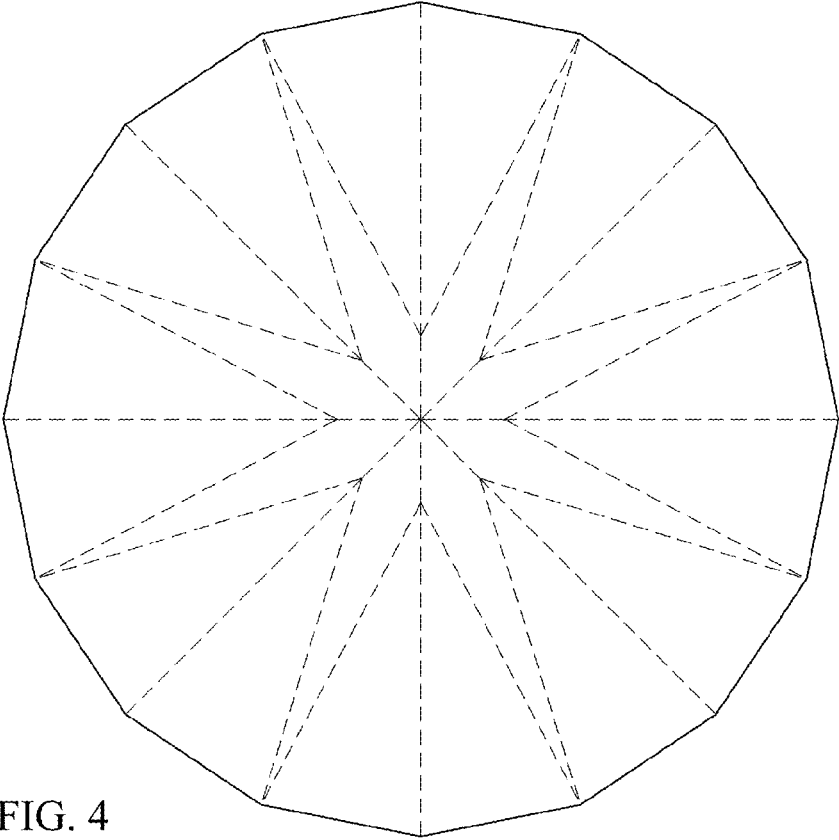


FIG. 4

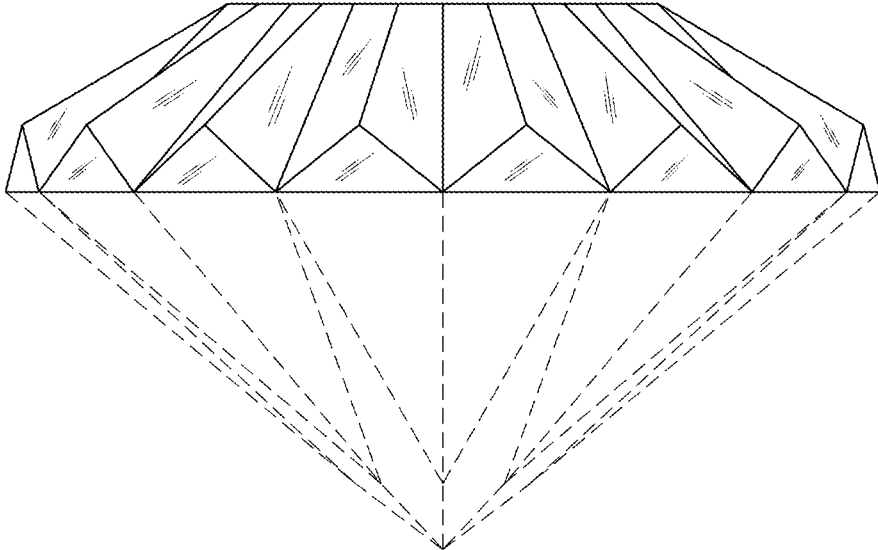


FIG. 5

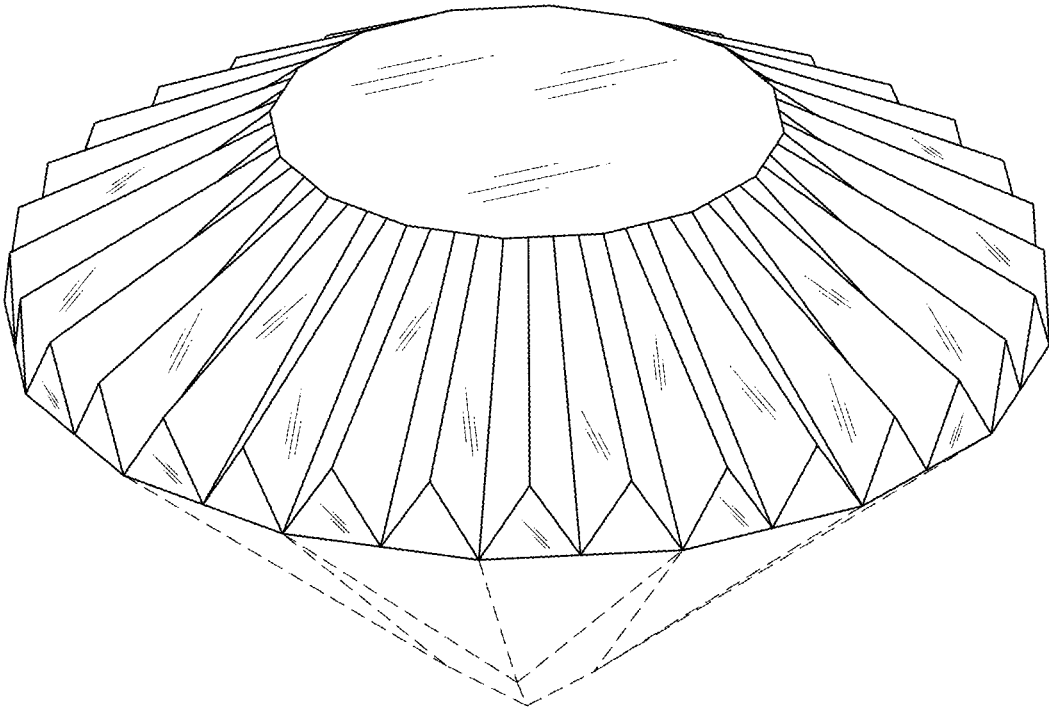


FIG. 6

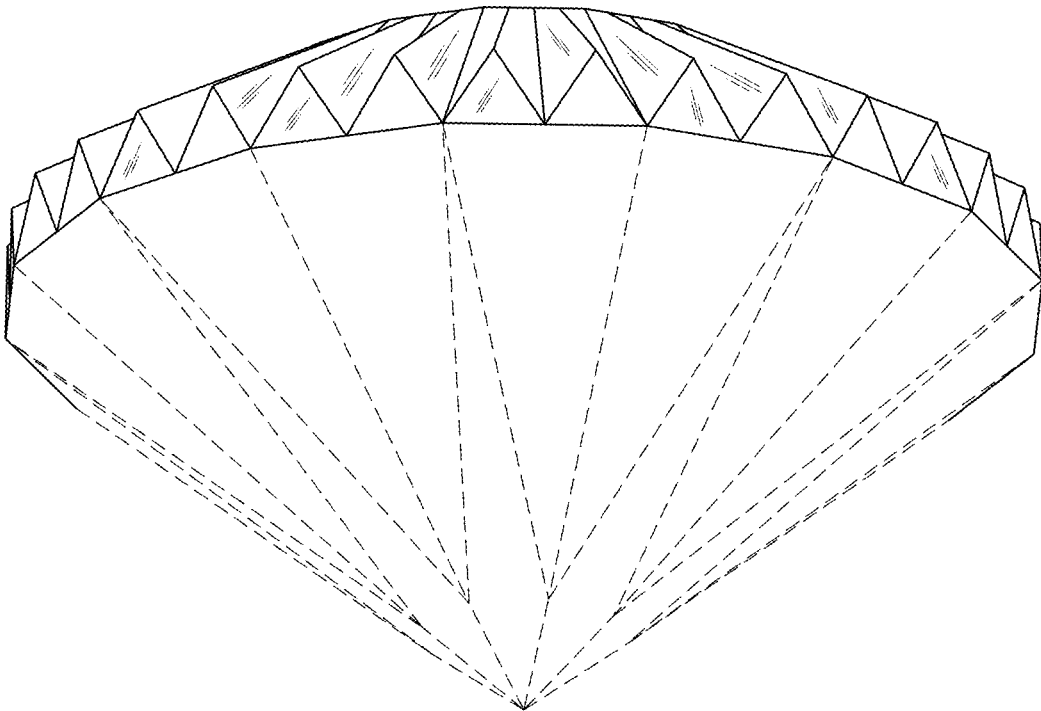


FIG. 7

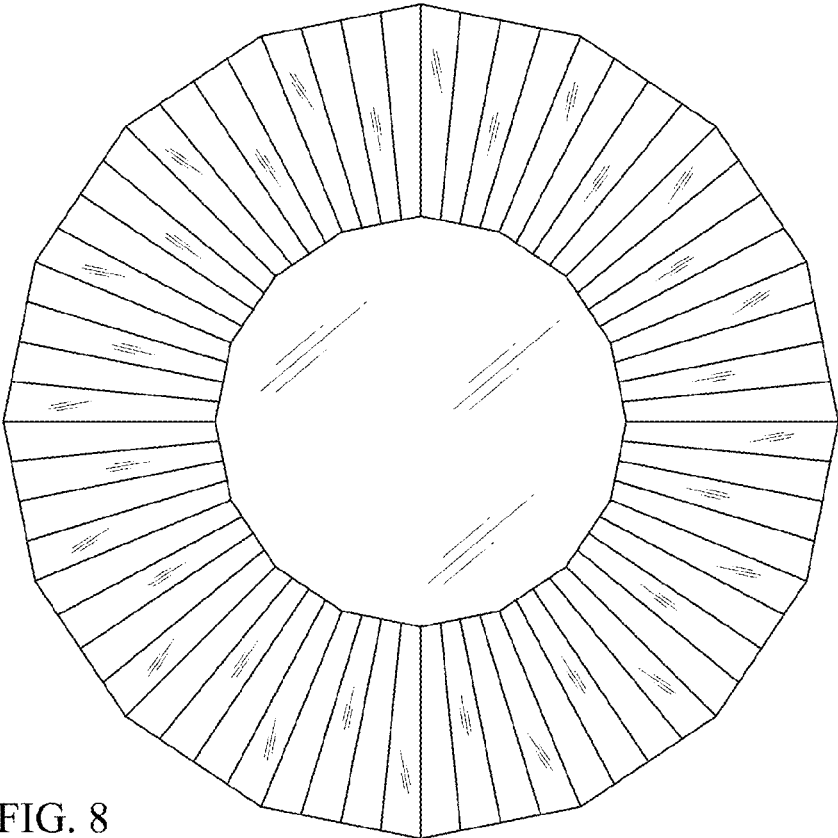


FIG. 8

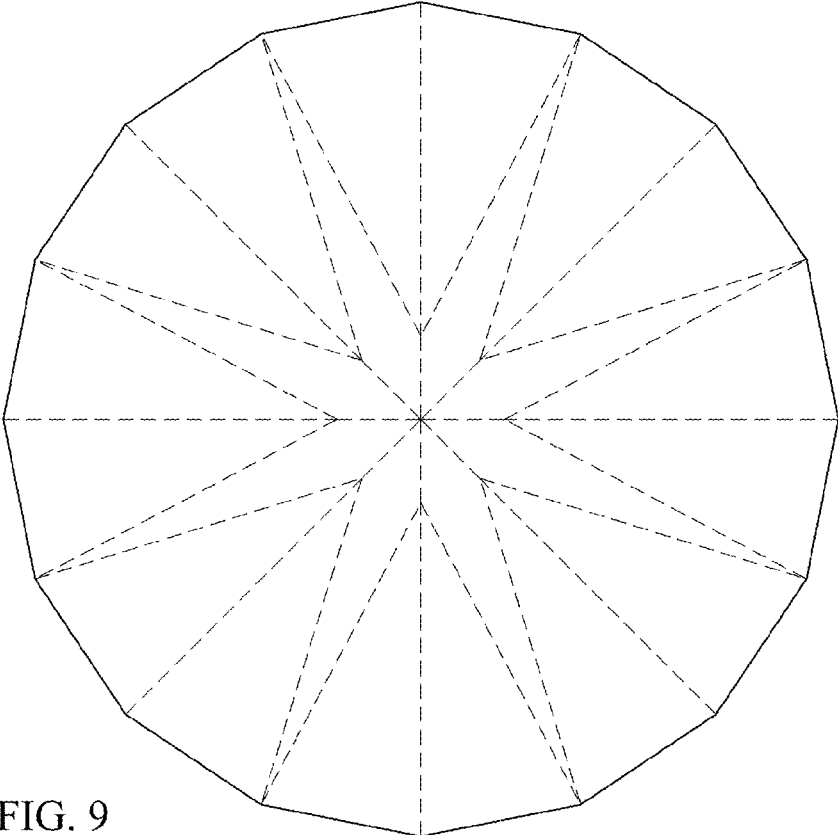


FIG. 9

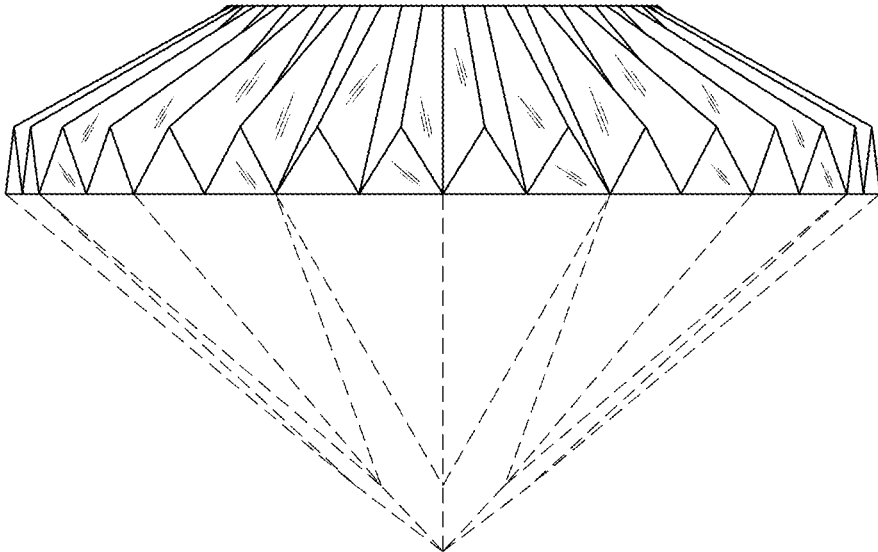


FIG. 10